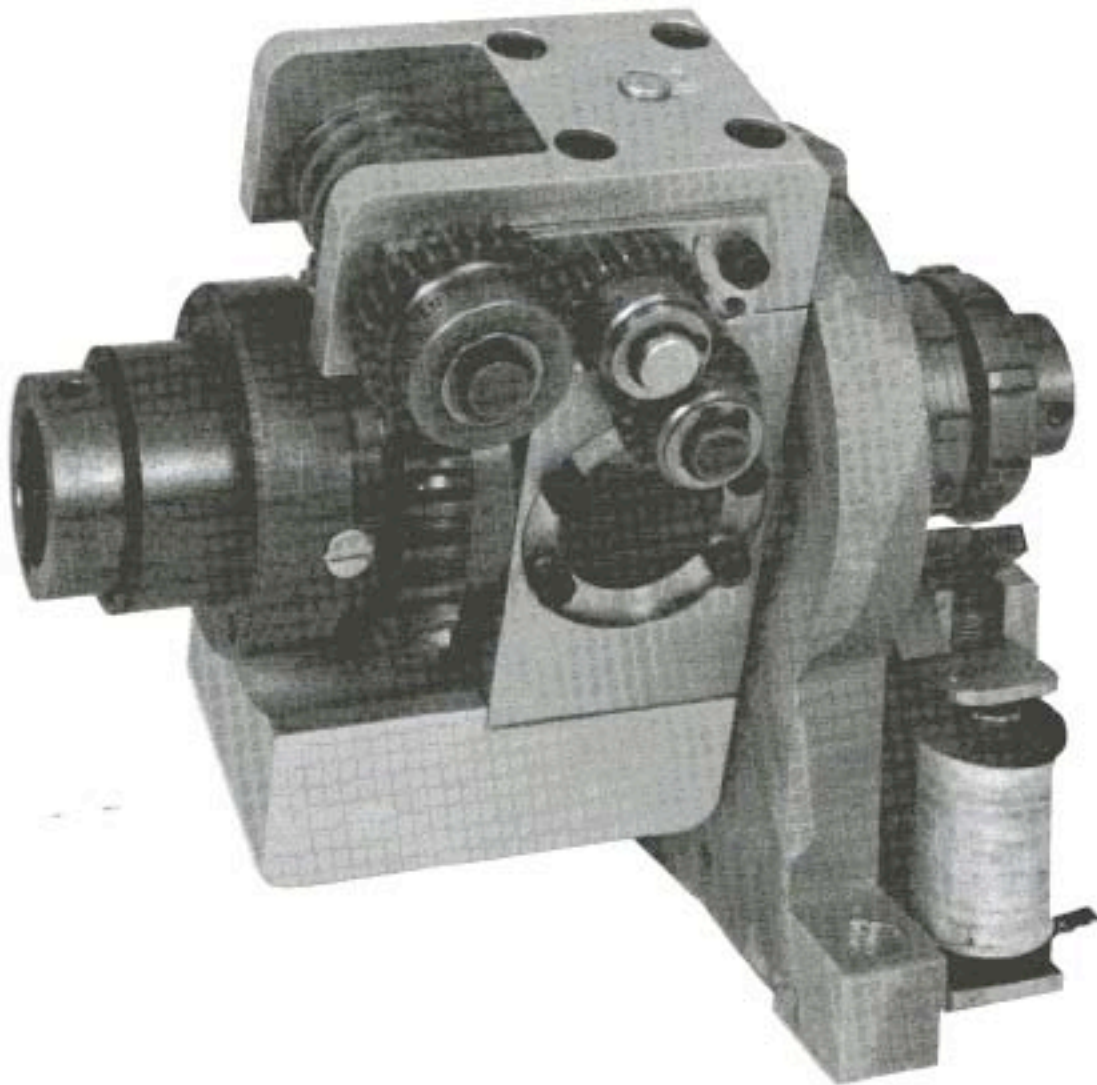


**DEITZ**  
COMPANY INC.

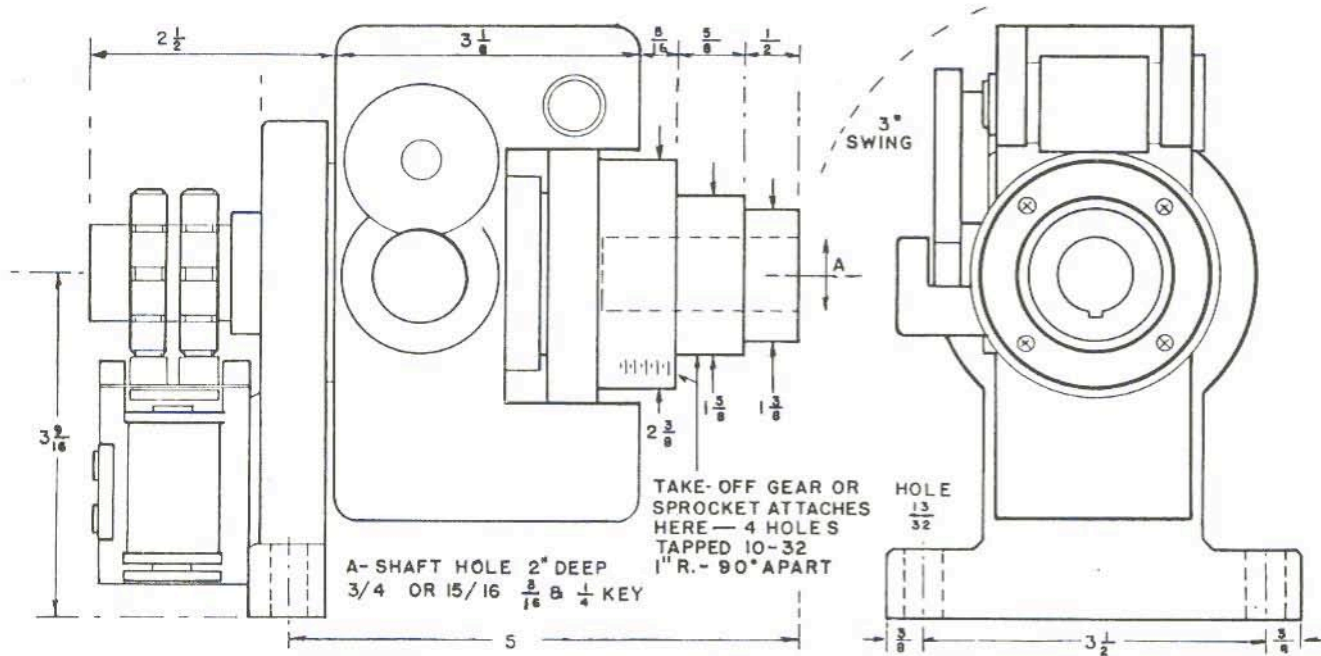
**MODEL 801 ROTARY COMPENSATOR**

**Manufacturer of Packaging System Controls and Machinery**

The Model 801 Rotary Compensator is a shaft-mounted, electro-mechanical control device, designed to make phase timing adjustments between two rotating shafts. The adjustments (or corrections) may be to advance or retard, according to timing information in the control system. Correction is activated by a unique design that allows nearly instant starting, stopping and reversing. When the correction actuator is not engaged, the 801 functions like a gear or sprocket and simply drives the output at a 1:1 ratio. When engaged, the output will increase or decrease in speed by approximately 1% or 1.5%, depending on specifications.



**DIMENSIONS**



**FEATURES**

1. Internal gearing is stationary except when the actuator is engaged, providing minimal wear.
2. Positive, almost instant, on- off-reverse.
3. Minimal backlash through the use of a single worm gear assembly.
4. Simple means of control through the use of a low energy actuator coil.
5. Compact design requires minimal space.

**SPECIFICATIONS**

1. Rated to carry 100 in-lbs of load.
2. Operates up to 600 RPM. Balancing of the unit will increase the speed capability.
3. Compensation ratios will provide 1.0% and 1.5% maximum correction per cycle.
4. Magnetic actuator operates in 1/30 sec.
5. Standard actuator voltage +24vdc.
6. Weight 9 lbs.

**ORDERING INFORMATION**

1. Specify use on 3/4", 7/8 "or 15/16 " shaft.
2. Specify correction ratio - 67:1 or 90:1
3. Standard actuator coil voltage is 24VDC.
4. Particular variations can be accommodated. Contact plant for details.

Detailed information is available concerning the function and characteristics of the Rotary Compensator. A complete line, consisting of one-way, two-way and two-way motorized versions, is manufactured by Deitz Co. See additional data for our complete packaging registration systems.