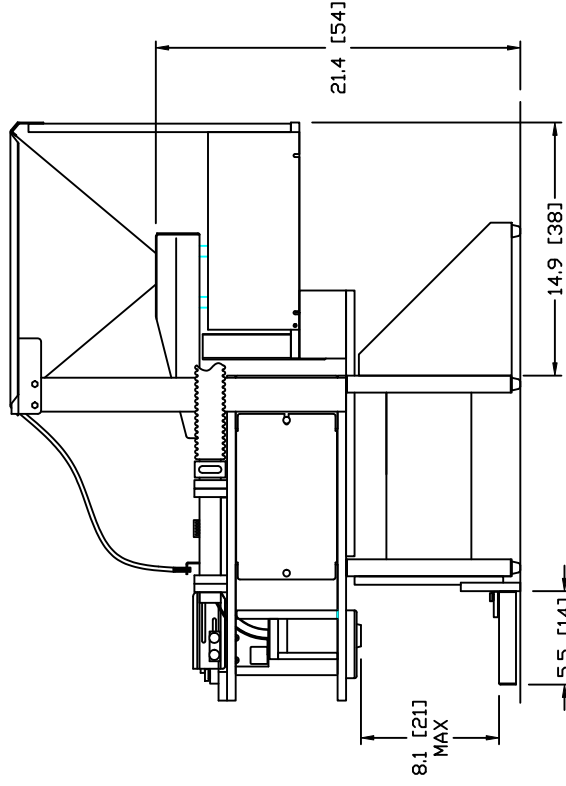
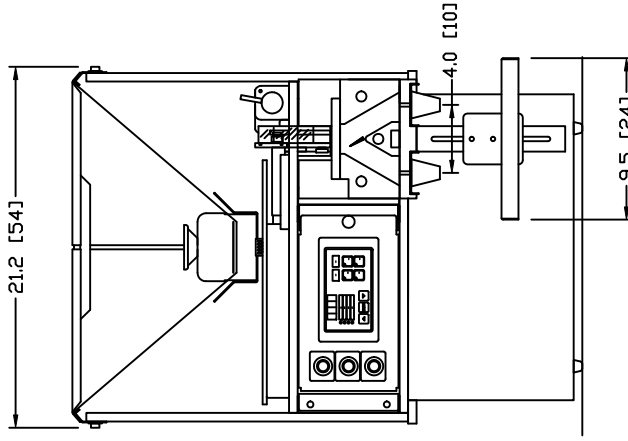
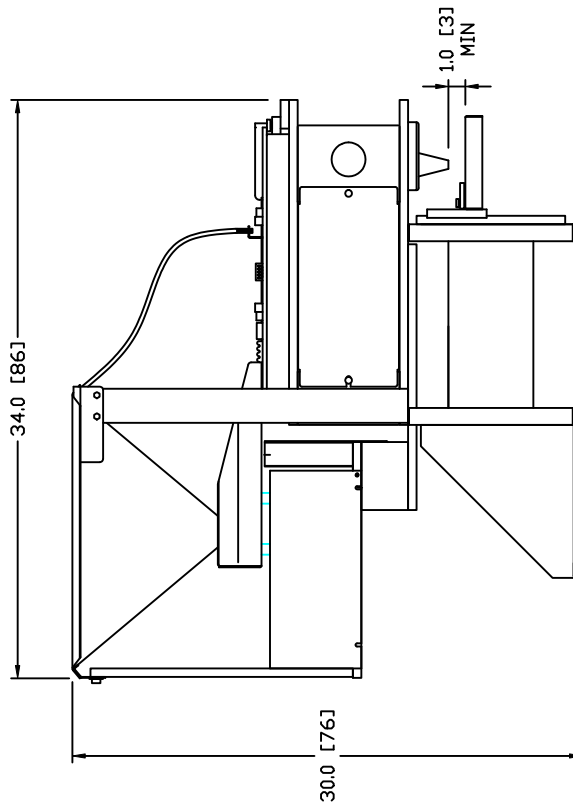
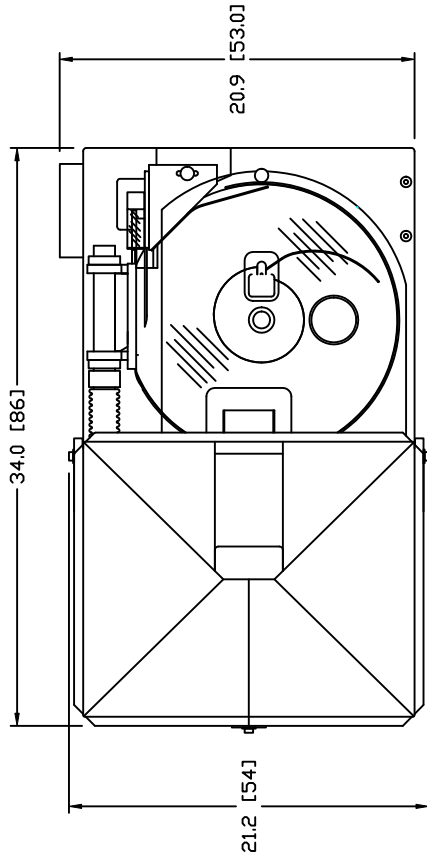


NOTE	REV	DESCRIPTION	DATE
-	-	-	--/--/--



SPECIFICATIONS

ELECTRICAL

110 VAC 50/50 Hz
 DRAWS 2.0A WITH NO AUXILIARY OUTLET LOAD
 UP TO 7.0A WITH AUXILIARY OUTLET LOAD

WEIGHTS

BASE MODEL 83 Lbs (38 Kg)
 WITH FEEDER 113 Lbs (52 Kg)
 WITH FEEDER & HOPPER 120 Lbs (58 Kg)

FULLY OPTIONED MODEL SHOWN

BASE MODEL PLUS:
 AIR GUIDE SYSTEM
 VIBRATORY FEEDER
 LARGE CAPACITY HOPPER
 AUTO-FEEDER CONTROL
 NOT SHOWN: AS1 AIR SUPPLY

NUMBER:
TN0101

REVISION
 -

PRODUCT

DEITZ COMPANY, INC.
ROUTE 34, WALL, N.J.

TECHNICAL DRAWING -- PRODUCT INFO

-

MODEL TC4 DIMENSIONS
 & SPECIFICATIONS

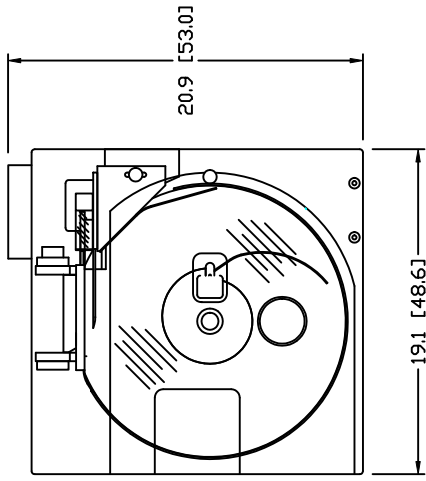
BY SJD2 DATE: 2008-02-14

SHEET 1 OF 2

NUMBER TN0101

REVISION -

NOTE	REV	DESCRIPTION	DATE
-	-	-	--/--/---



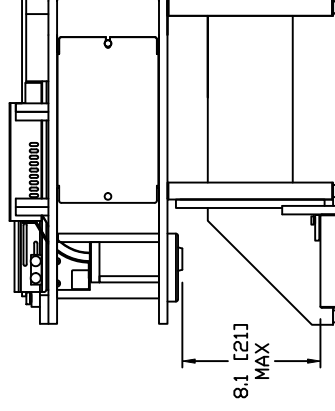
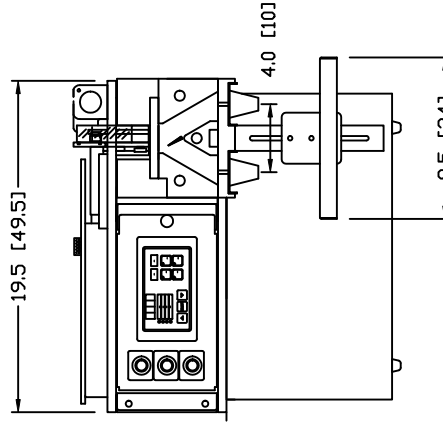
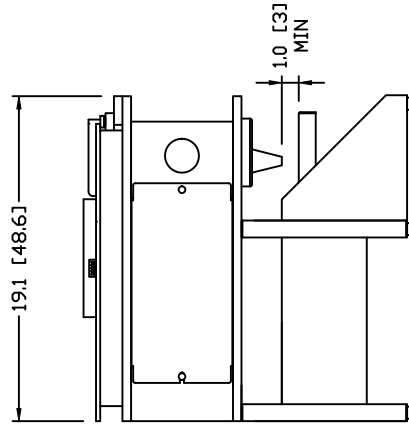
SPECIFICATIONS

ELECTRICAL

110 VAC 50/50 Hz
 DRAWS 2.0A WITH NO AUXILIARY OUTLET LOAD
 UP TO 7.0A WITH AUXILIARY OUTLET LOAD

WEIGHTS

BASE MODEL	83 Lbs (38 Kg)
WITH FEEDER	113 Lbs (52 Kg)
WITH FEEDER & HOPPER	120 Lbs (58 Kg)



BASE MODEL SHOWN

NUMBER: TN0101	REVISION -
-------------------	---------------

PRODUCT	-	BY	SJD2	DATE:	2008-02-14
TITLE	MODEL TC4 DIMENSIONS & SPECIFICATIONS	SHEET	2	OF	2
DEITZ COMPANY, INC. ROUTE 34, WALL, N.J.		NUMBER	TN0101	REVISION	-
TECHNICAL DRAWING -- PRODUCT INFO					