

IF THE INSERTION ROD EXTENDS ONCE AND MACHINE FREEZES IN THAT POSITION, THE COMPUTER CONTROL MAY BE UNABLE TO TELL THAT THE LOWER CYLINDER IS FULLY EXTENDED.

LOOK AT THE POINT WHERE TO COTTON IS PUSHED OUT INTO THE BOTTLE. IF THE WHITE PLASTIC PLUNGER IS VISIBLE, THIS IS THE PROBLEM.

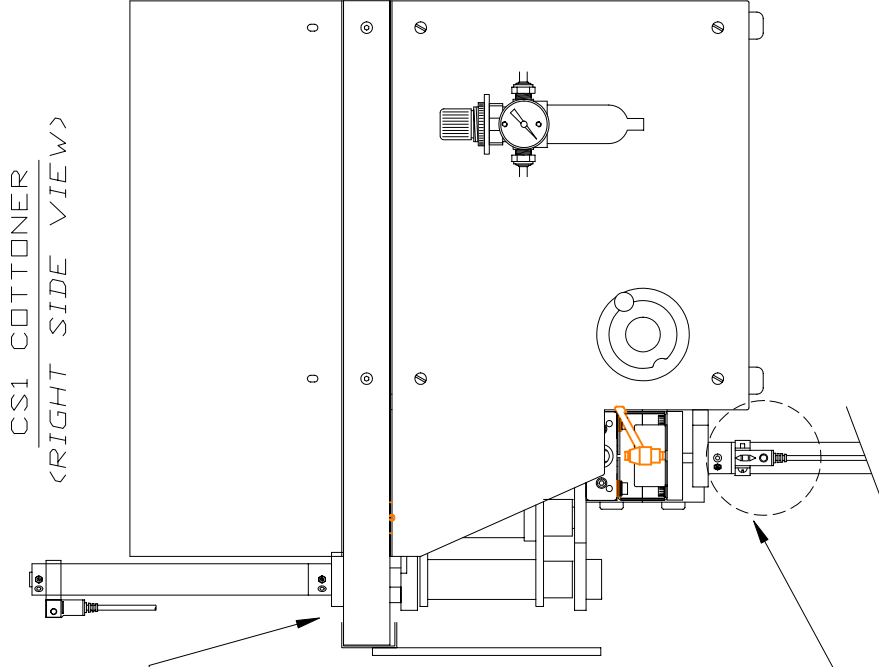
RAISE THE MACHINE UNTIL YOU CAN SEE THE LOWER CYLINDER. LOOK AT THE LOWER CYLINDER SENSOR. IF A GREEN LIGHT IS NOT SEEN, DO THE FOLLOWING.

FIRST YOU MUST BE SURE THAT COTTON IS NOT JAMMED IN THE TUBE (THIS IS RARE, BUT DOES HAPPEN).

TURN OFF THE POWER (PRESS STOP). THE RODS SHOULD WITHDRAW. NOW LOOK INTO THE OBSERVATION HOLE ON THE TOP OF THE TURRET SUPPORT WHILE ROTATING THE TURRET BY HAND. IF THE TUBES ARE NOT PACKED WITH MULTIPLE PIECES OF COTTON, THE LOWER CYLINDER SENSOR MAY NEED TO BE ADJUSTED.

POWER ON AND PRESS THE BUTTON MARKED "EXTEND RODS". USE A PHILLIPS SCREWDRIVER TO LOOSEN THE BAND THAT HOLDS THE SENSOR AROUND THE LOWER CYLINDER. SLIDE THE SENSOR UP OR DOWN A SMALL DISTANCE UNTIL THE GREEN LIGHT TURNS ON AND STAYS ON. TIGHTEN THE CLAMPING BAND TO HOLD THE SENSOR IN THIS POSITION.

PRESS "EXTEND RODS" AGAIN AND THE MACHINE SHOULD OPERATE NORMALLY.



CS1 COTTONNER  
(RIGHT SIDE VIEW)

NOTE	REV	DESCRIPTION	DATE	REVISION NUMBER
-	-	-	--/--/---	-

**DEITZ COMPANY, INC.**  
**ROUTE 34, WALL, N.J.**

TECHNICAL DRAWING — PRODUCT INFO

PRODUCT	CS1 VERSION 3.0	BY	SJD2	DATE	4/2/01
TITLE	TROUBLESHOOTING	SHEET	1	OF	1
	COTTONNER FIRES ONCE AND STOPS	NUMBER	TN0051	REVISION	-
	CYLINDER SENSOR ADJUSTMENT				