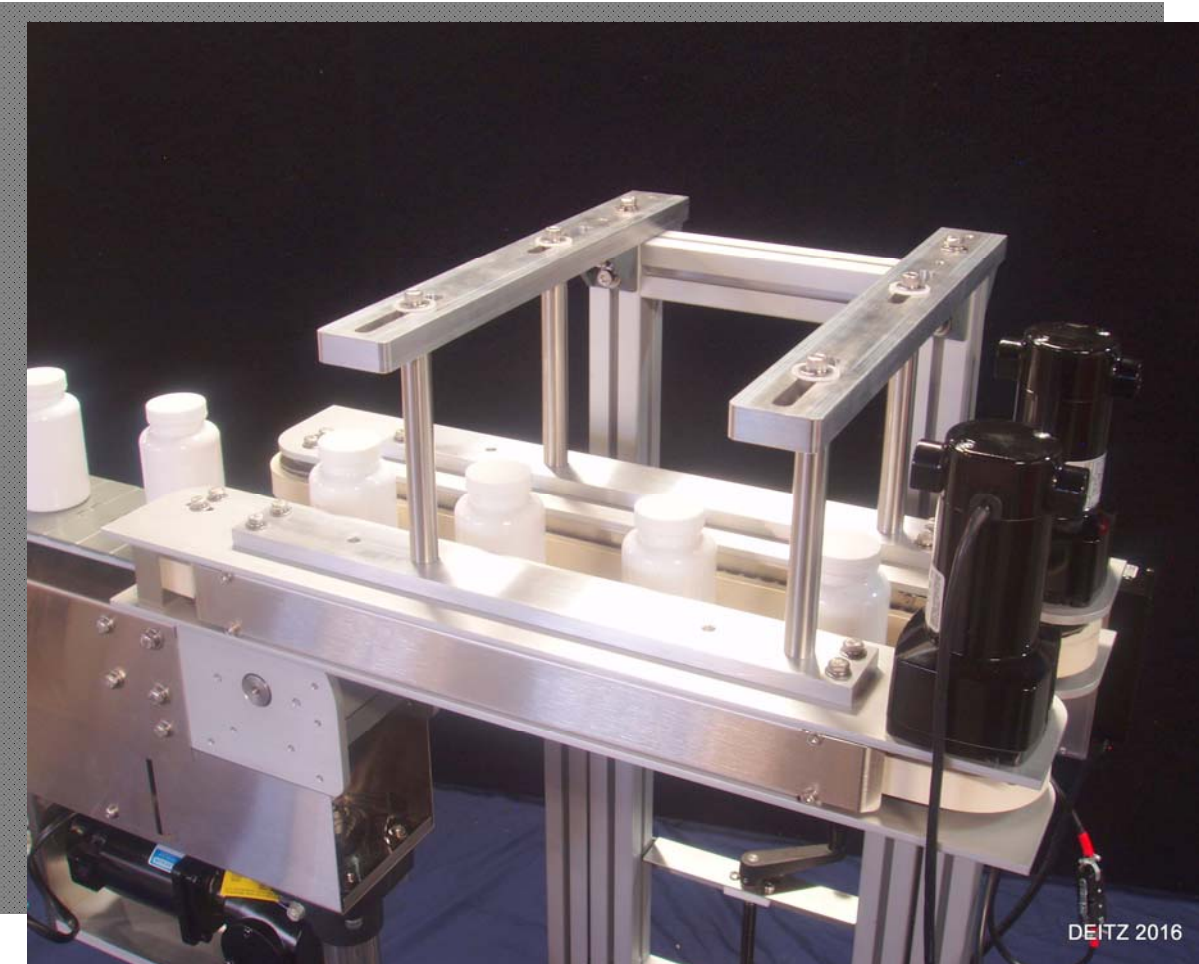


*MODEL BCV1*

*Bottomless Conveyor*

***For Bottom Coding or Power Transfer***



***Conveyor Mounted or Adjustable Height Lift Stand***  
***Variable Speed, Adjustable Width and Height***

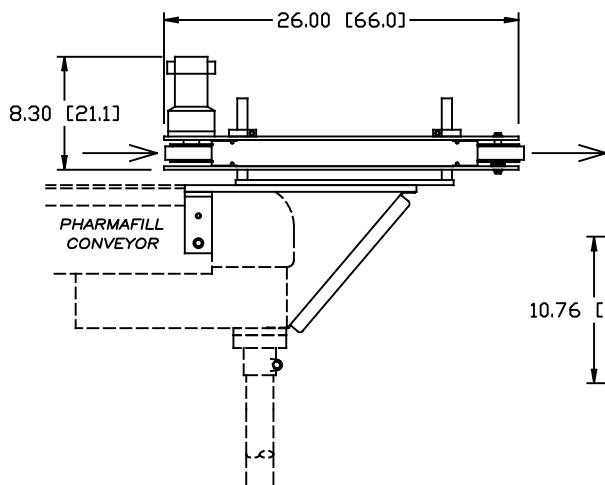
*Designed and Manufactured by*

**DEITZ™**  
**COMPANY INC.**

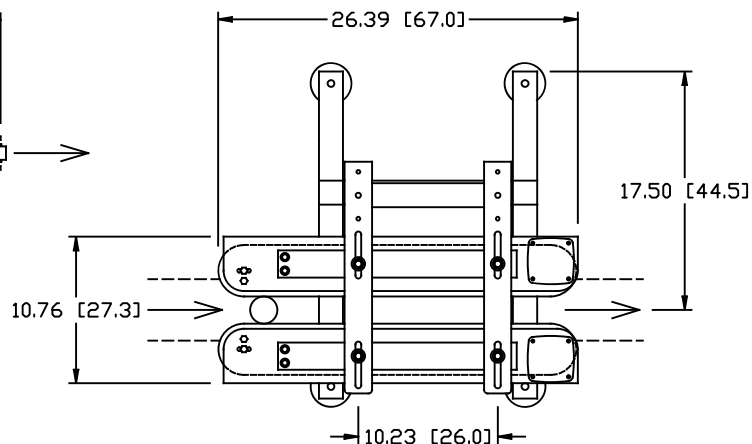
1750 Route 34  
PO Box 1108  
Wall, NJ 07719  
USA

TEL 732-681-0200  
FAX 732-681-8468  
WEB DEITZCO.COM  
PHARMAFILL.COM

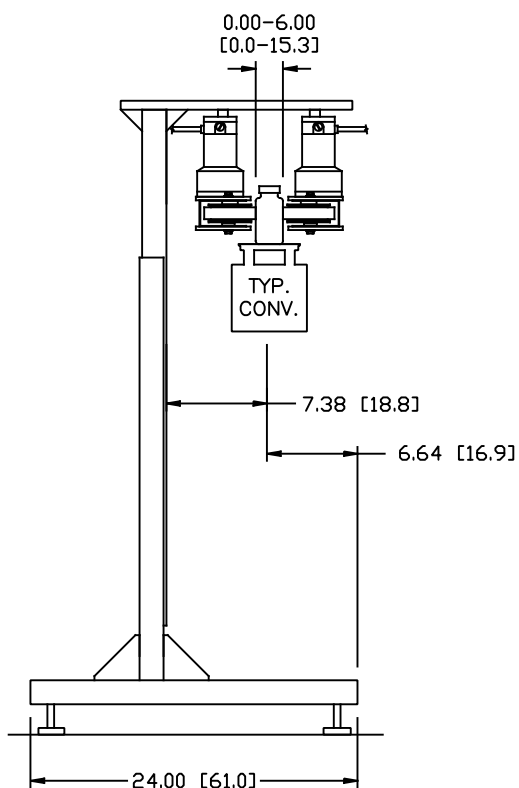
# PHARMAFILL MODEL BCV1 BOTTOMLESS CONVEYOR



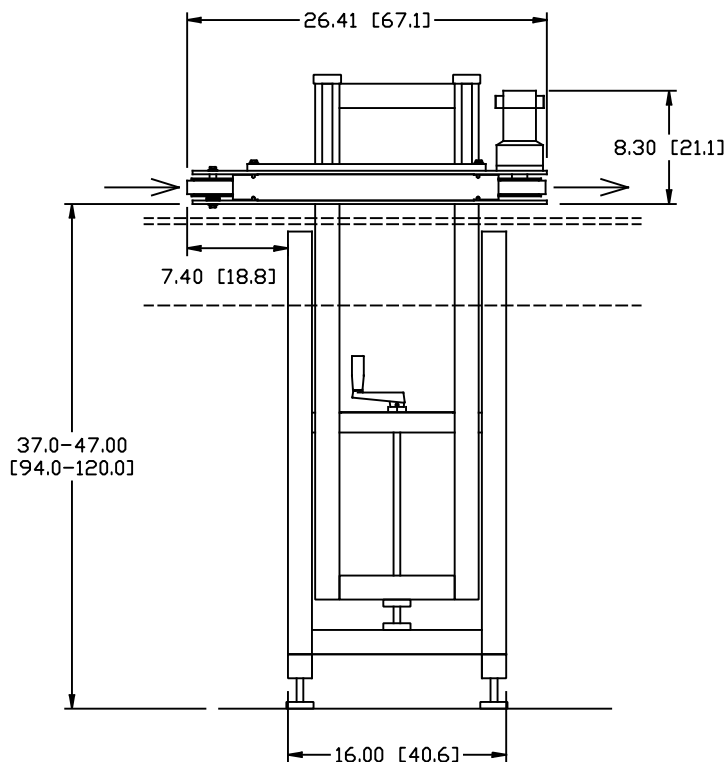
CONVEYOR MOUNTING  
LEFT SIDE VIEW



LIFT STAND MOUNTING  
OVERHEAD



LIFT STAND MOUNTING  
LEFT SIDE



LIFT STAND MOUNTING  
FRONT

ELECTRICAL REQUIREMENTS: 110 VAC 1.0 AMPS  
DIMENSIONS ARE IN INCH & [CM].

SPECIFICATIONS AS OF MARCH 2015. MAY CHANGE AT ANY TIME.