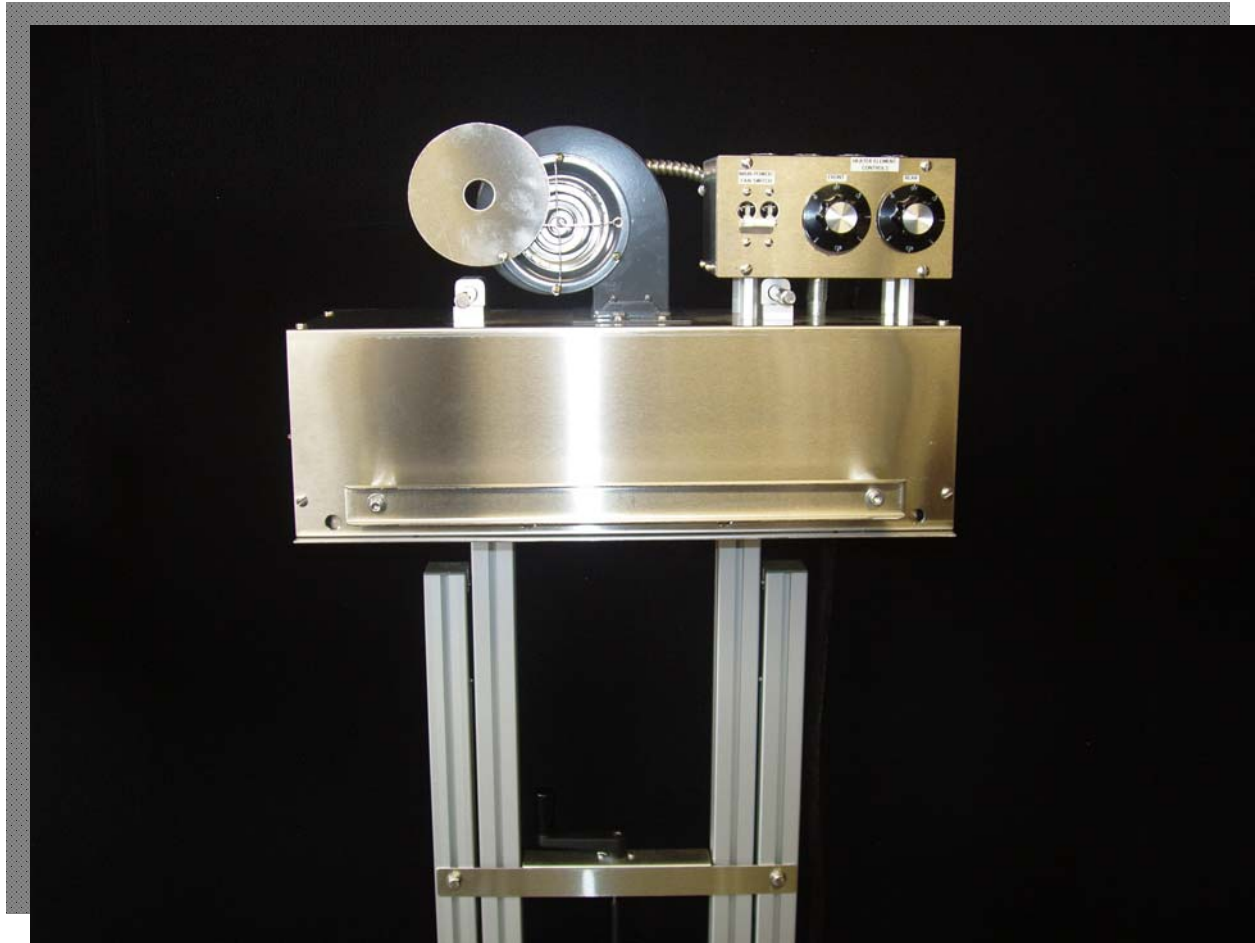


*MODEL HT6B*

*Heat Shrink Tunnel*

***Shrinks Tamper-Evident Bands on Bottles***



***Speeds up to 100 BPM***

***Fast, Compact and Easy To Use***

*Designed and Manufactured by*

**DEITZ™**  
**COMPANY INC.**

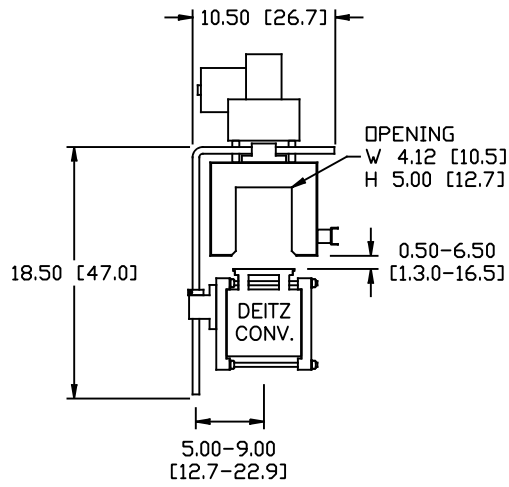
1750 Route 34  
PO Box 1108  
Wall, NJ 07719  
USA

TEL 732-681-0200  
FAX 732-681-8468  
WEB DEITZCO.COM  
PHARMAFILL.COM

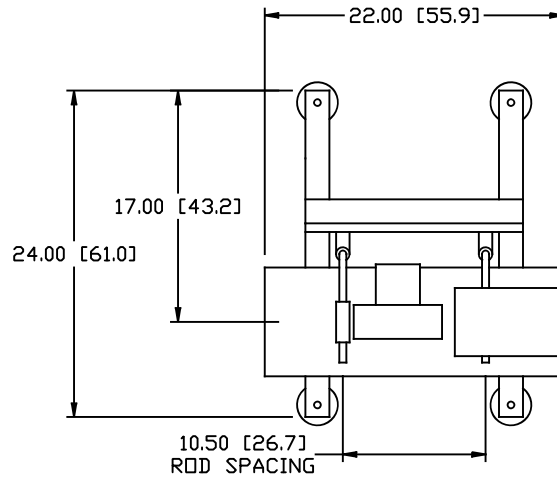
PHARMAFILL

MODEL HT6B

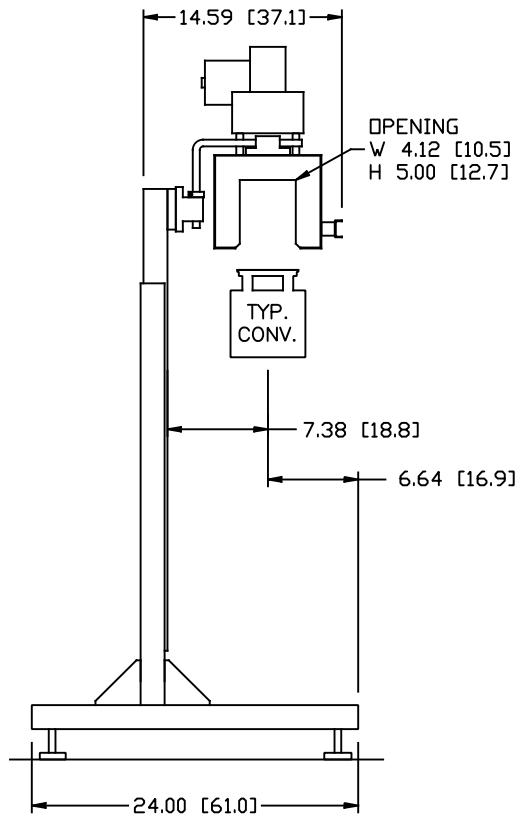
HEAT TUNNEL



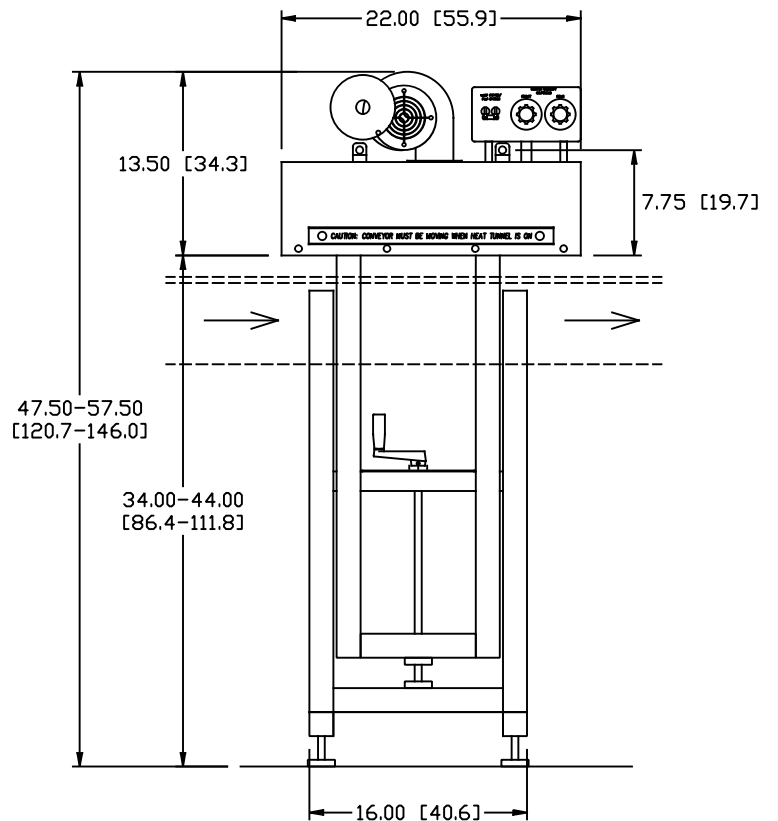
CONVEYOR MOUNTING  
LEFT SIDE VIEW



LIFT STAND MOUNTING  
OVERHEAD



LIFT STAND MOUNTING  
LEFT SIDE



LIFT STAND MOUNTING  
FRONT

ELECTRICAL REQUIREMENTS: 220 VAC 30.0 AMPS  
DIMENSIONS ARE IN INCH & [CM].

SPECIFICATIONS AS OF MARCH 2015. MAY CHANGE AT ANY TIME.