



MODEL TC3

TABLET/CAPSULE COUNTER

All-New Fully-Automatic Electronic Counter Filler



*Fast, Accurate, Innovative and Easy To Use
Can Be Set Up as Dual System (shown above) for 100 BPM*

Designed and Manufactured by

DEITZ[™]
COMPANY INC.

1750 Route 34
PO Box 1108
Wall, NJ 07719
USA

TEL 732-681-0200
FREE 800-394-2709
FAX 732-681-8468
WEB pharmafill.com

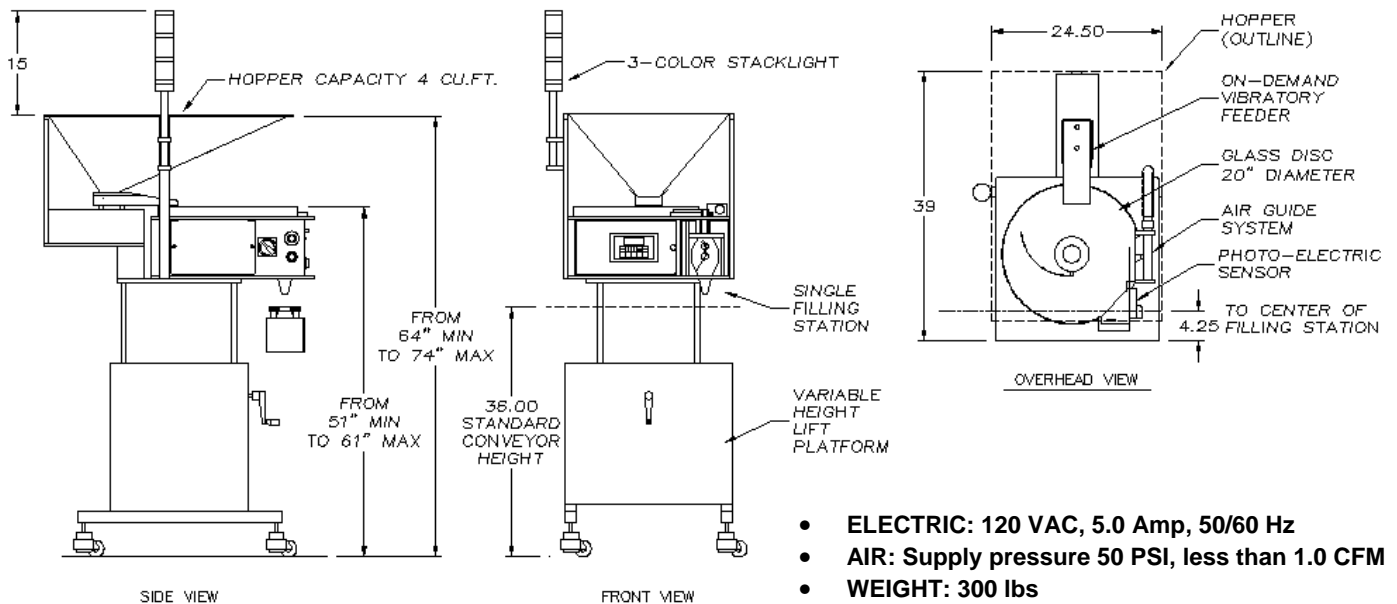
PHARMAFILL™

DEITZ COMPANY, WALL, NJ, USA

MODEL TC3

TABLET/CAPSULE COUNTER

- **INNOVATIVE & UNIQUE** - our all-new design offers a combination of simplicity, speed and accuracy that can't be matched.
- **FULLY AUTOMATIC** - fill-by-count for any solid oral dose product.
- **NO CHANGE PARTS** - tablets, capsules, clear gel caps, no problem.
- **FAST** - Count rates up to 2500 pills/min, fill rates up to 50 bottles/min.
- **COMPACT** - use two machines side-by-side and double the output.
- **PRODUCTION READY** - Heavy-duty design, fully computer controlled, custom photoelectric sensing unit, high-capacity hopper, smart vibratory feeder, simple and clean glass-disc feeder, unique air-guides for fast setup and jam-free flow, unique single-channel delivery, adjustable lift platform, smart bottle automation built-in, ready to roll up to any conveyor, easy to operate and understand.



Designed and Manufactured by

DEITZ™
COMPANY INC.

Your Sales Representative: