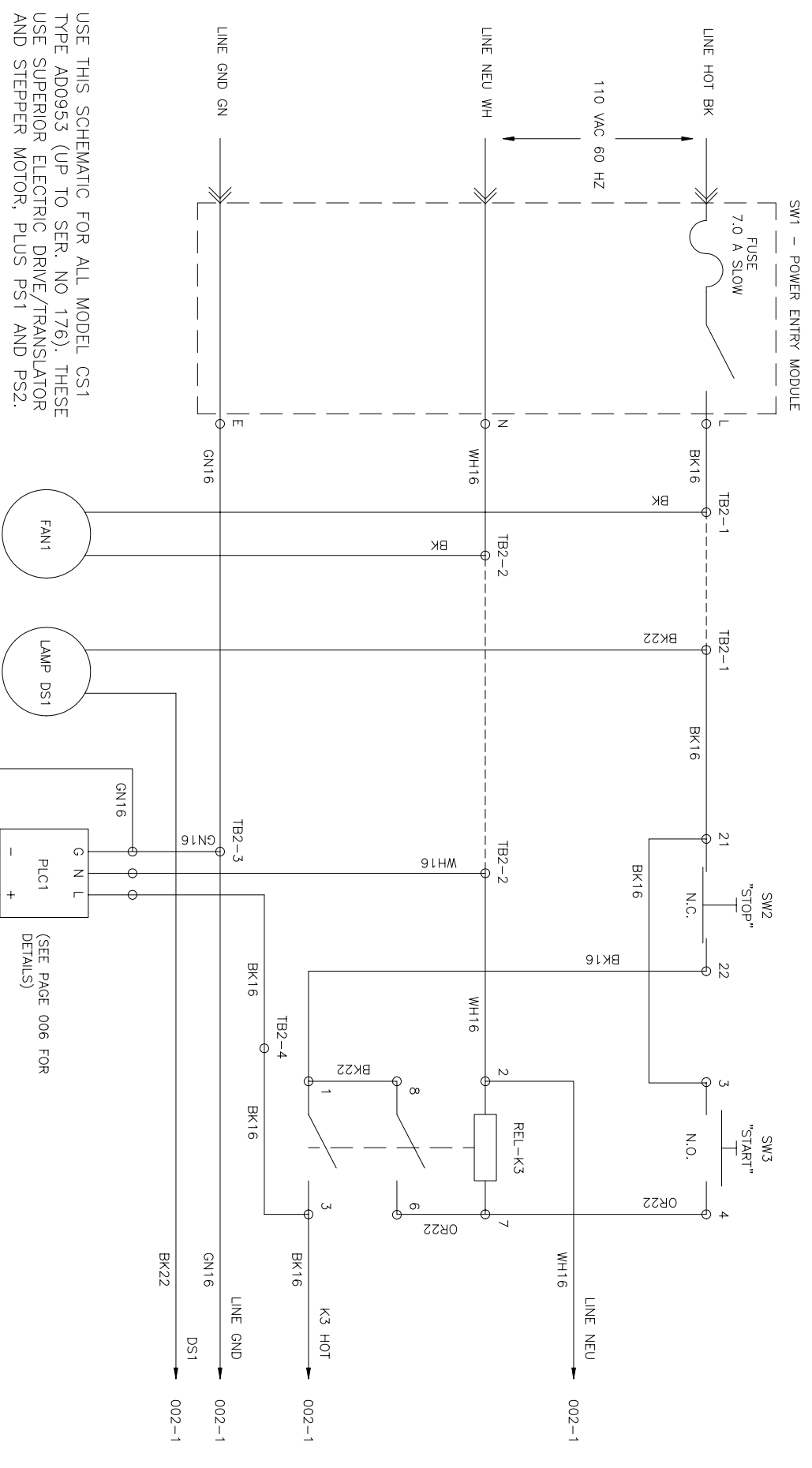


1	2	3	4	5	6	7	8	9	0
---	---	---	---	---	---	---	---	---	---



USE THIS SCHEMATIC FOR ALL MODEL CS1 TYPE AD0953 (UP TO SER. NO 176). THESE USE SUPERIOR ELECTRIC DRIVE/TRANSLATOR AND STEPPER MOTOR, PLUS PS1 AND PS2.

NUMBER SC1002

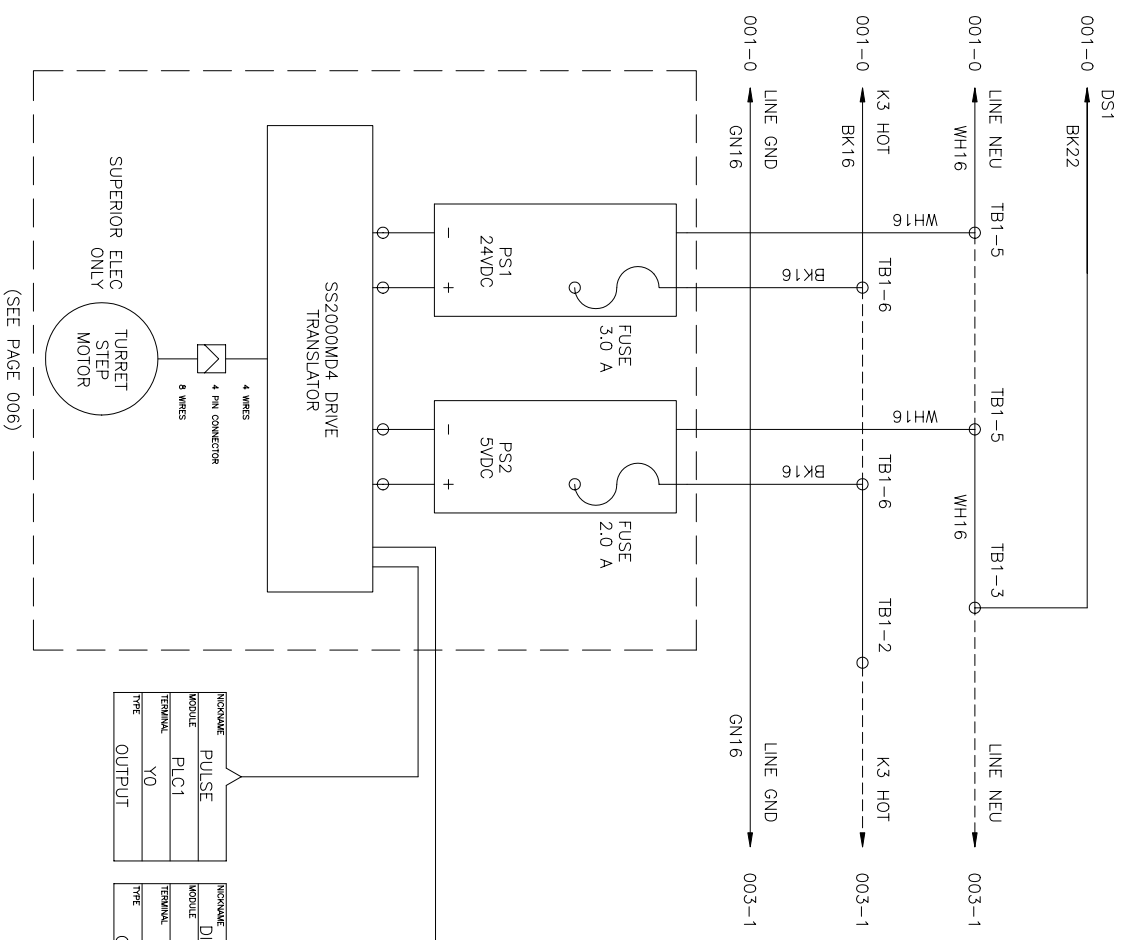
PAGE 001

NOTE	REV	DESCRIPTION	DATE
-	-	-	--/--/--

DEITZ COMPANY, INC.
ROUTE 34, WALL, N.J.
 TECHNICAL DRAWING - PRODUCT INFO

SECTION	MAIN POWER	BY	SJD2	DATE:	12/02/02
TITLE	CS1 COTTONER SCHEMATIC	SHEET	001	OF	007
	UP TO SER. NO. 176	NUMBER	SC1002	REVISION	-

1	2	3	4	5	6	7	8	9	0
---	---	---	---	---	---	---	---	---	---

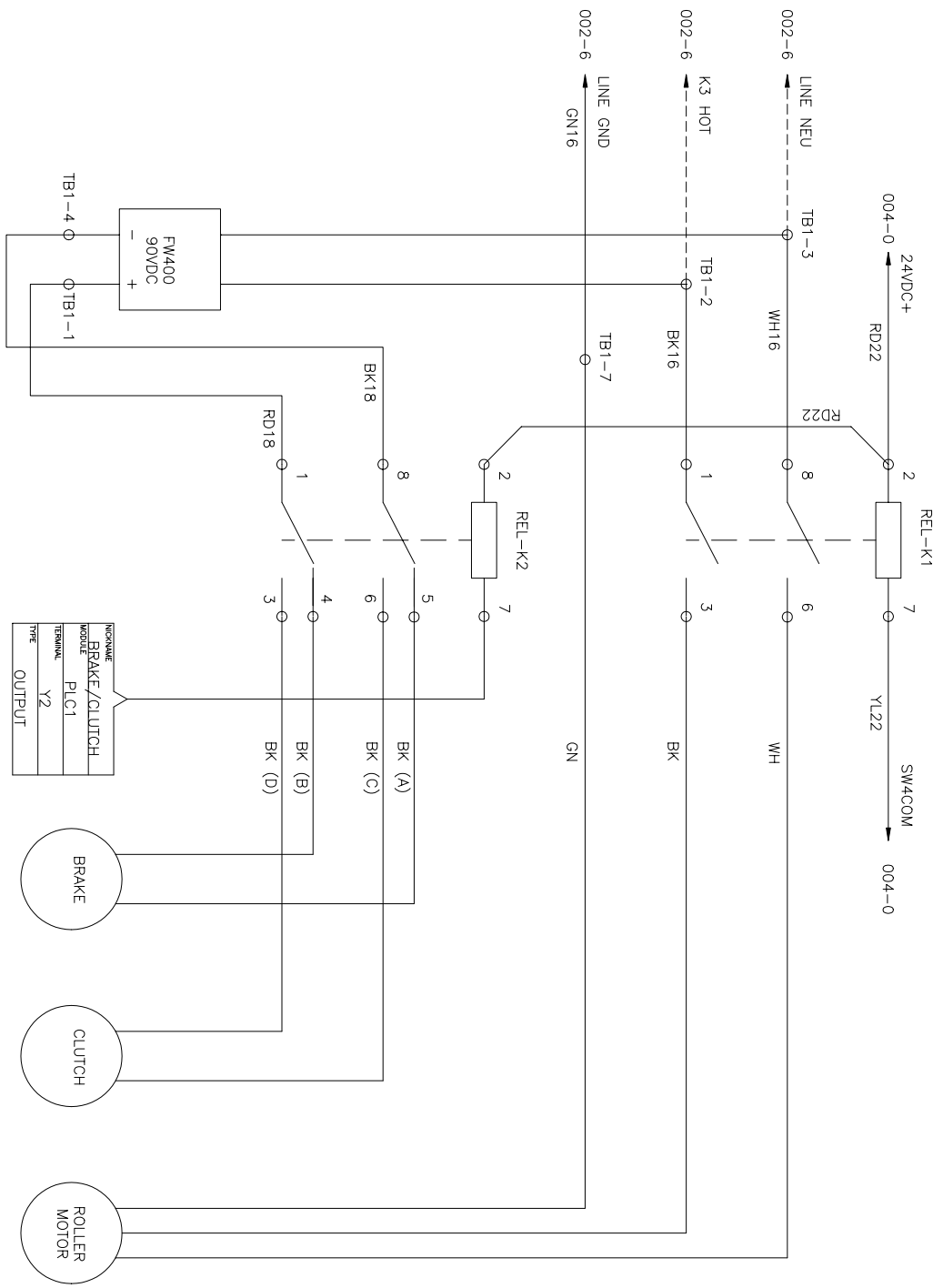


ICRNAME	PULSE
MODULE	PLC1
TERMINAL	Y0
TYPE	OUTPUT

ICRNAME	DIRECTION
MODULE	PLC1
TERMINAL	Y1
TYPE	OUTPUT

NUMBER:	SC1002
PAGE	002
NOTE	-
REV	-
DESCRIPTION	-
DATE	--/--/--

DEITZ COMPANY, INC.	
ROUTE 34, WALL, N.J.	
TECHNICAL DRAWING - PRODUCT INFO	
SECTION	TURRET MOTOR
TITLE	CS1 COTTONER SCHEMATIC
	UP TO SER. NO. 176
BY	SJD2
DATE:	12/02/02
SHEET	002
OF	007
NUMBER	SC1002
REVISION	-



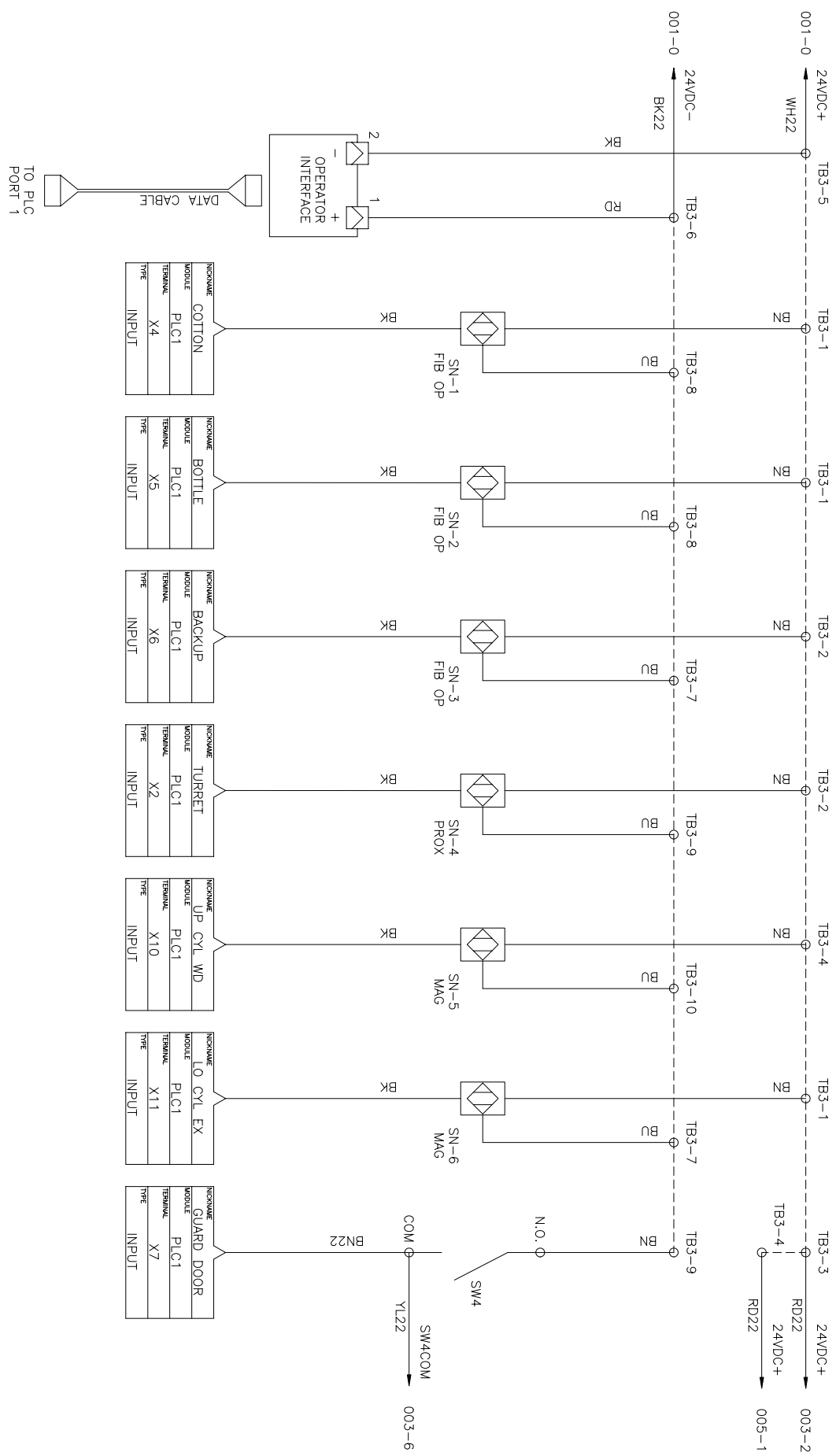
INCLUDE	PLC1
TERMINAL	Y2
TYPE	OUTPUT

NUMBER: SC1002
PAGE 003

NOTE	REV	DESCRIPTION	DATE
-	-	-	---/---/---

DEITZ COMPANY, INC.
ROUTE 34, WALL, N.J.
TECHNICAL DRAWING - PRODUCT INFO

SECTION BRAKE/CLUTCH, ROLLER MOTOR
TITLE
CS1 COTTONER
SCHEMATIC
UP TO SER. NO. 176
BY SJD2 DATE: 12/02/02
SHEET 003 OF 007
NUMBER SC1002
REVISION -



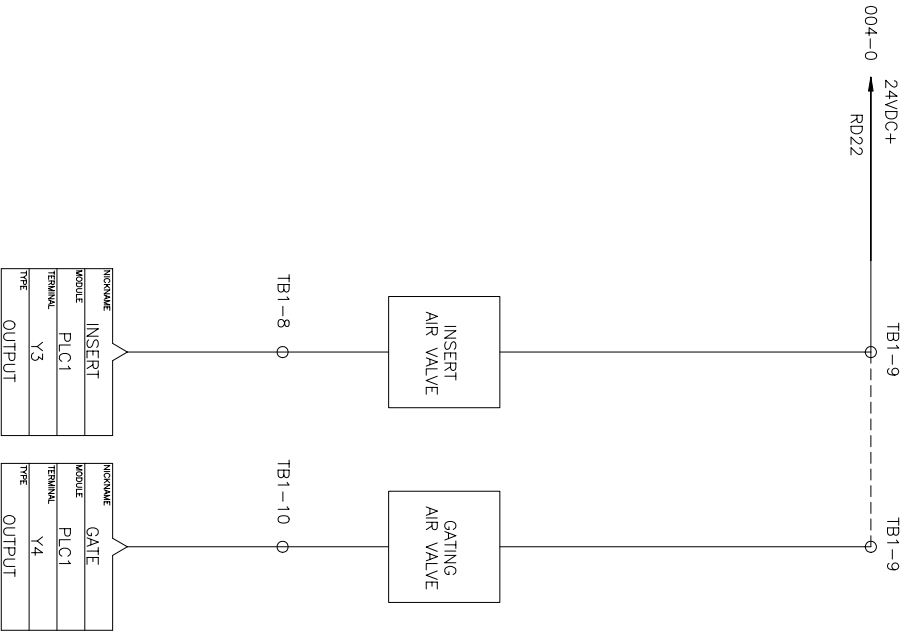
NUMBER:	SC1002
PAGE	004
NOTE	-
REV	-
DESCRIPTION	-
DATE	--/--/--

DEITZ COMPANY, INC.
ROUTE 34, WALL, N.J.

SECTION: INTERFACE, INPUTS
 TITLE: CS1 COTTONER SCHEMATIC
 UP TO SER. NO. 176

BY: SJD2 DATE: 12/02/02
 SHEET: 004 OF: 007
 NUMBER: SC1002 REVISION: -

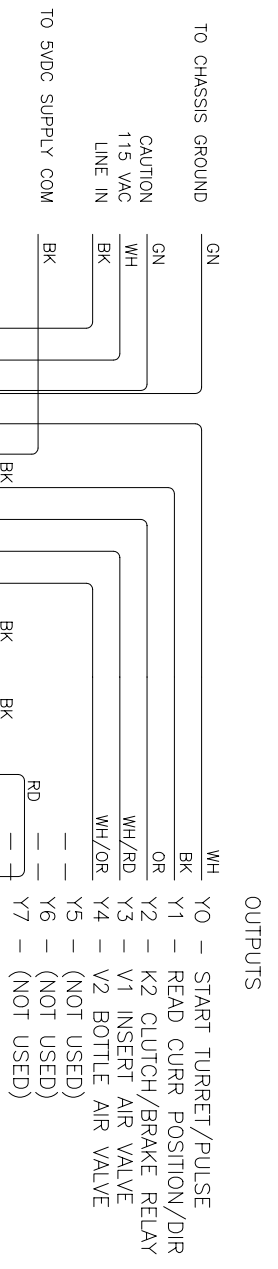
1	2	3	4	5	6	7	8	9	0
---	---	---	---	---	---	---	---	---	---



NUMBER: SC1002	
PAGE	005
NOTE	-
REV	-
DESCRIPTION	-
DATE	---/---/---

DEITZ COMPANY, INC.
ROUTE 34, WALL, N.J.
 TECHNICAL DRAWING - PRODUCT INFO

SECTION	VALVE OUTPUTS	BY	SJD2	DATE:	12/02/02
TITLE	CS1 COTTONER SCHEMATIC	SHEET	005	OF	007
	UP TO SER. NO. 176	NUMBER	SC1002	REVISION	-



- INPUTS
- PROFILE COMP (INTERNAL) - X0
 - (NOT AVAILABLE) - X1
 - SN4 TURRET (PROX) - X2
 - (NOT USED) - X3
 - SN1 COTTON (FIB-OP) - X4
 - SN2 BOTTLE (FIB-OP) - X5
 - SN3 BACKUP (FIB-OP) - X6
 - SW4 GUARD (SWITCH) - X7
 - SN5 UPPER CYL (MAG) - X10
 - SN6 LOWER CYL (MAG) - X11

TO TERM BLOCK & DISPLAY

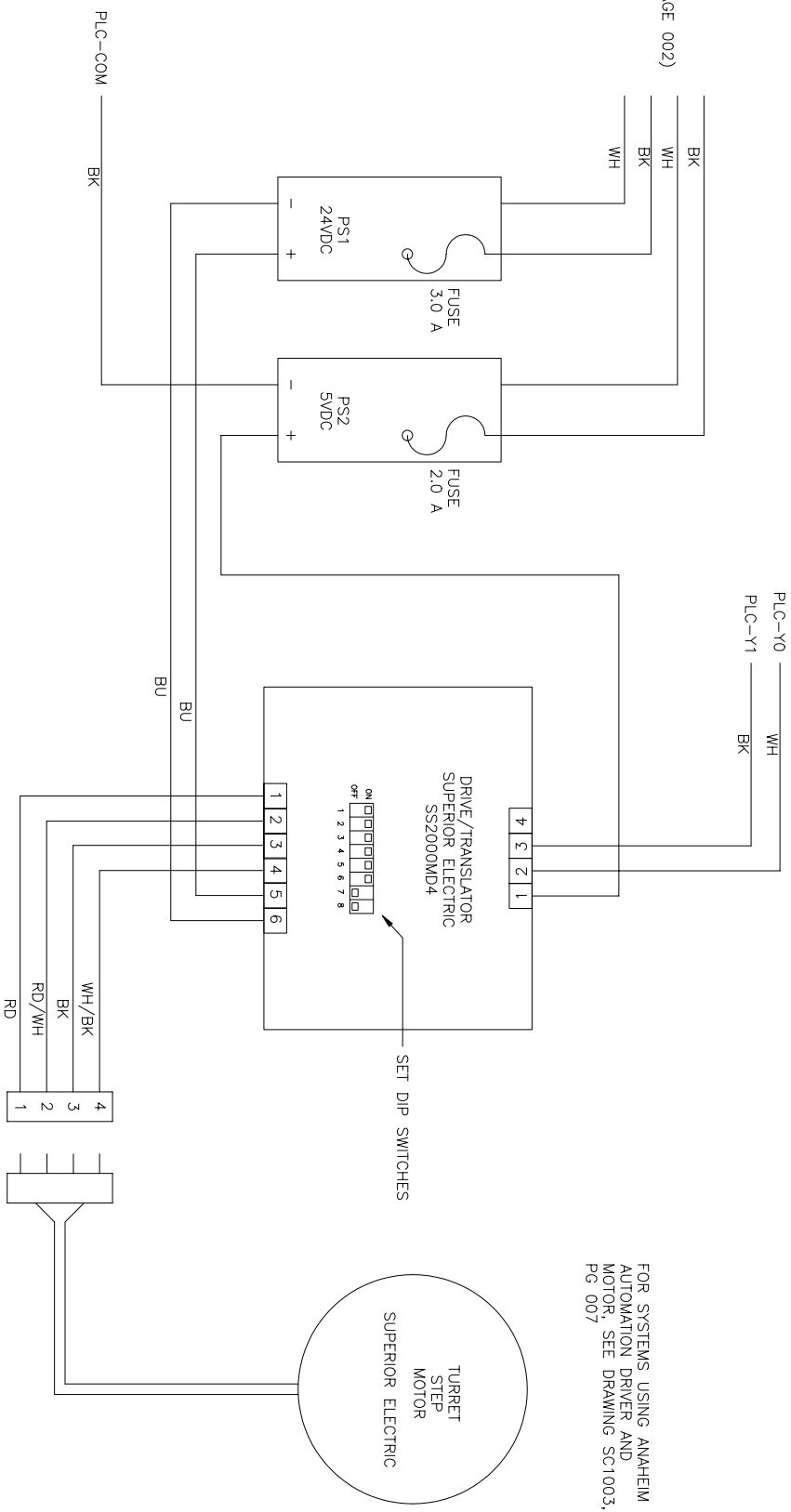
ALSO SEE PAGE 005

NOTE	REV	DESCRIPTION	DATE
-	-	-	---/---/---

DEITZ COMPANY, INC.
ROUTE 34, WALL, N.J.
TECHNICAL DRAWING - PRODUCT INFO

SECTION	PLC DETAILS	BY	DATE:
TITLE	G51 COTTONER SCHEMATIC	SVD2	12/02/02
UP TO SER. NO.	176	SHEET	006 OF 007
REVISION		NUMBER	SC1002

(SEE PAGE 002)



FOR SYSTEMS USING ANAHEIM
AUTOMATION DRIVER AND
MOTOR. SEE DRAWING SC1003,
PG 007

NUMBER: SC1002
PAGE 007

NOTE	REV	DESCRIPTION	DATE
-	-	-	---/---/---

DEITZ COMPANY, INC.
ROUTE 34, WALL, N.J.
TECHNICAL DIAGRAM

SECTION	TURRET DRIVE DETAILS	BY	SJD2	DATE:	12/02/02
TITLE	CS1 COTTONER SCHEMATIC	SHEET	007	OF	007
	UP TO SER. NO. 176	NUMBER	SC1002	REVISION	-