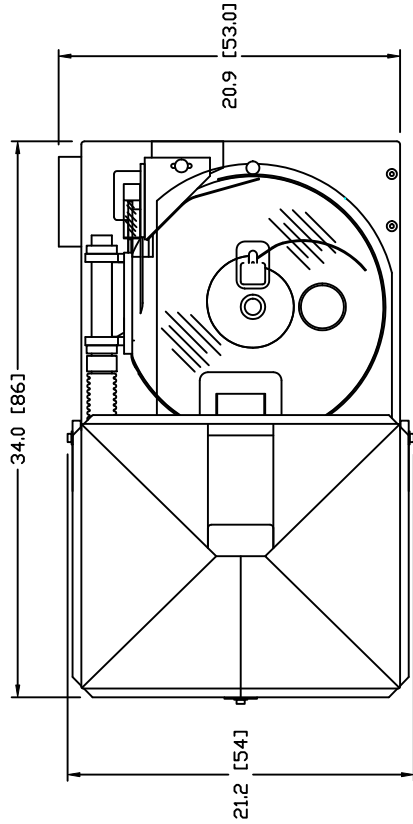


NOTE

REV DESCRIPTION

DATE

---/---/---



SPECIFICATIONS

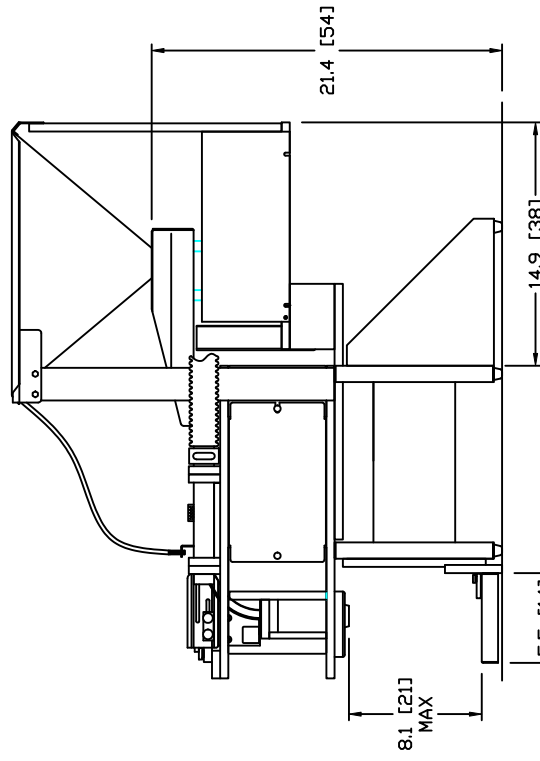
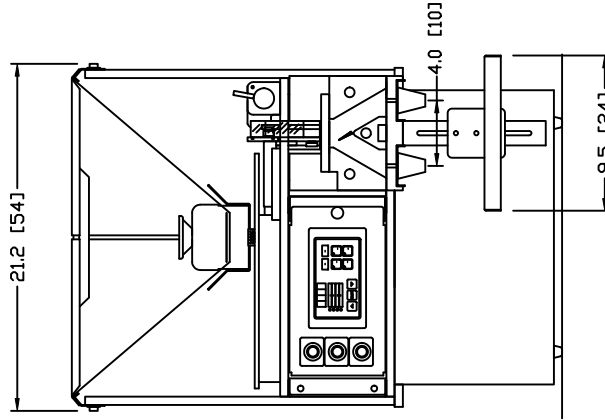
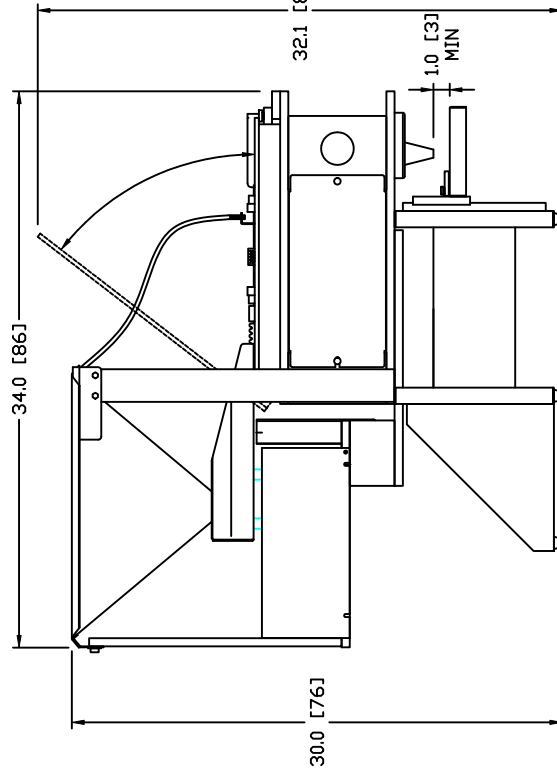
ELECTRICAL

110 VAC 50/50 Hz
 DRAWS 2.0A WITH NO AUXILIARY OUTLET LOAD
 UP TO 7.0A WITH AUXILIARY OUTLET LOAD
 (USUALLY AS1 AIR SUPPLY BLOWER)

WEIGHTS

BASE MODEL 83 Lbs (38 Kg)
 WITH OPTIONS:
 FEEDER 113 Lbs (52 Kg)
 FEEDER & HOPPER 120 Lbs (58 Kg)

OPTIONAL HOPPER - CAPACITY 0.6 CU.FT.
 WITH 6" HOPPER EXTENSION 1.6 CU. FT.



FULLY OPTIONED MODEL SHOWN

BASE MODEL PLUS:
 AIR GUIDE SYSTEM
 VIBRATORY FEEDER
 LARGE CAPACITY HOPPER
 AUTO-FEEDER CONTROL
 NOT SHOWN: AS1 AIR SUPPLY

NUMBER:
 AD1154-DIM

REVISION
 I

PRODUCT AD1154

BY SJD2 DATE: 2008-04-01

TITLE MODEL TC4 DIMENSIONS
 & SPECIFICATIONS

SHEET 1 OF 2
 NUMBER AD1154-DIM
 REVISION -

DEITZ COMPANY, INC.
ROUTE 34, WALL, N.J.

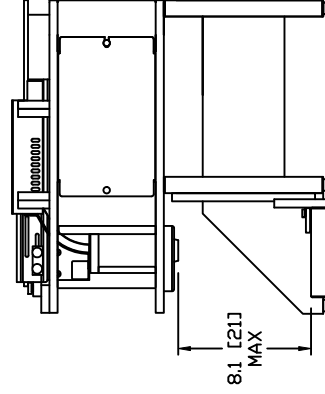
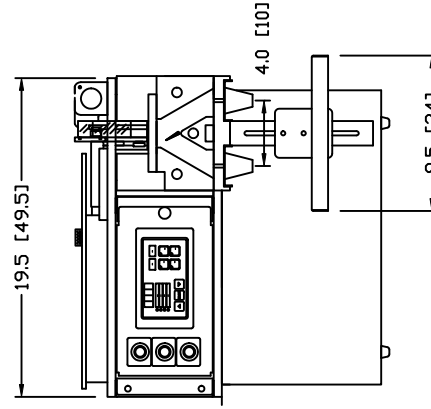
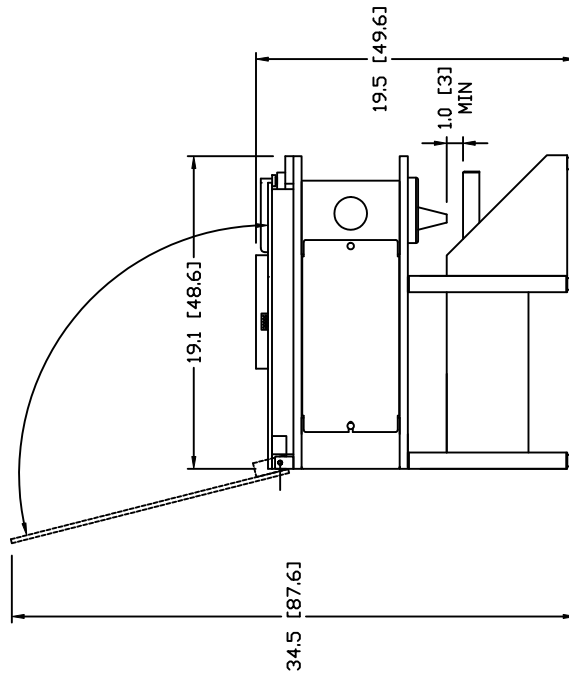
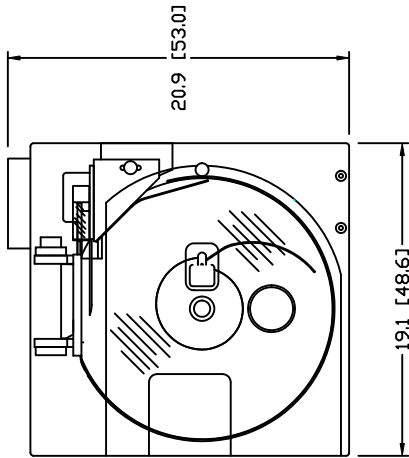
TECHNICAL DRAWING - PRODUCT INFO

NOTE

REV DESCRIPTION

DATE

---/---/---



SPECIFICATIONS

ELECTRICAL

110 VAC 50/50 Hz
DRAWS 2.0A WITH NO AUXILIARY OUTLET LOAD
UP TO 7.0A WITH AUXILIARY OUTLET LOAD

WEIGHT

BASE MODEL 83 Lbs (38 Kg)

BASE MODEL SHOWN

NUMBER:
AD1154-DIM

REVISION
I

DEITZ COMPANY, INC.
ROUTE 34, WALL, N.J.
TECHNICAL DRAWING - PRODUCT INFO

PRODUCT AD1154
TITLE MODEL TC4 DIMENSIONS
& SPECIFICATIONS

BY SJD2 DATE: 2008-04-01
SHEET 2 OF 2
NUMBER AD1154-DIM
REVISION -